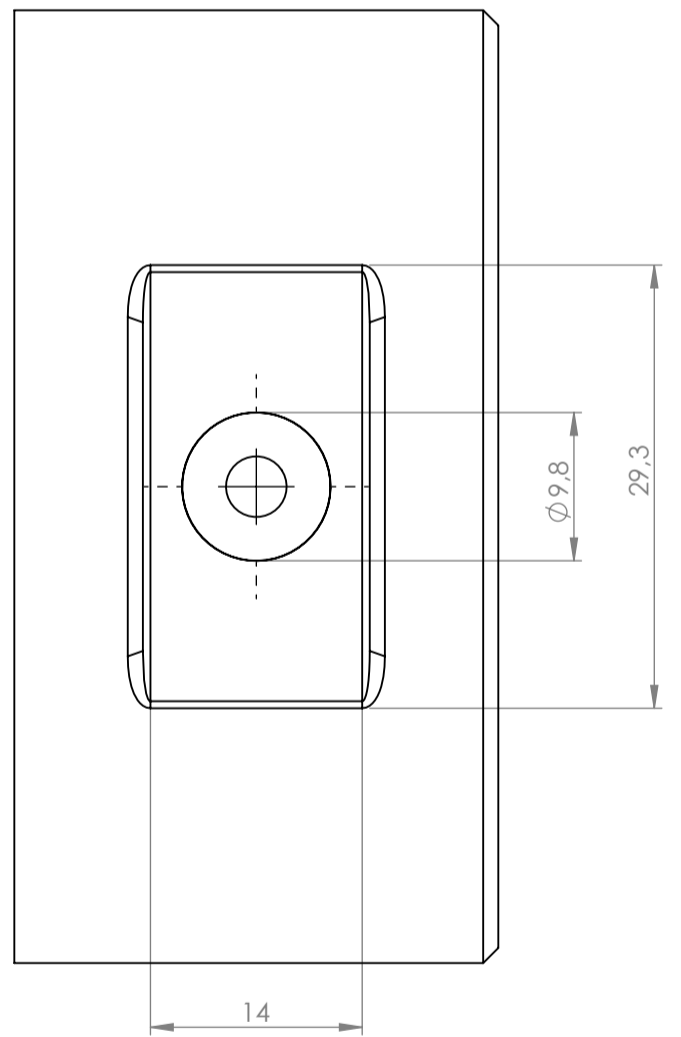
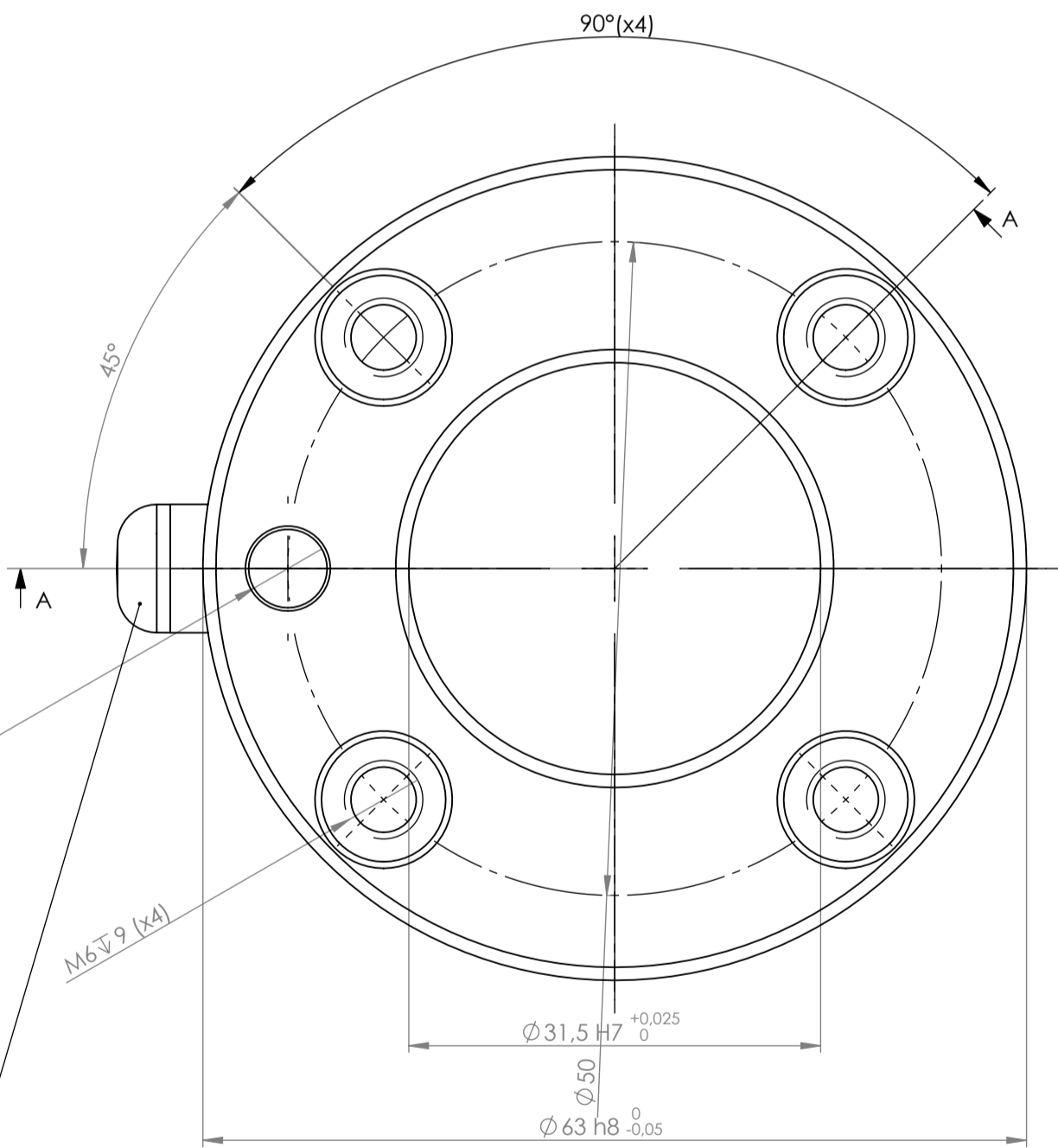


SECTION A-A



$\phi 6 H7 \begin{smallmatrix} +0.015 \\ 0 \end{smallmatrix}$

M6 V9 (x4)

$\phi 31.5 H7 \begin{smallmatrix} +0.025 \\ 0 \end{smallmatrix}$

$\phi 50$
 $\phi 63 h8 \begin{smallmatrix} 0 \\ -0.05 \end{smallmatrix}$

Lumberg RKMV 8-354 connector